

RINGO HILL FARMS EQUIPMENT CO., INC.

1624 Route 212 Quakertown, Pa 18951 Phone: (610)-346-7340 Fax: (610)-346-8041
Email: Sales@RingoHill.com www.RingoHill.com & www.SheltonHitch.com

Signature Of Person Ordering:

Name: _____

Phone: _____

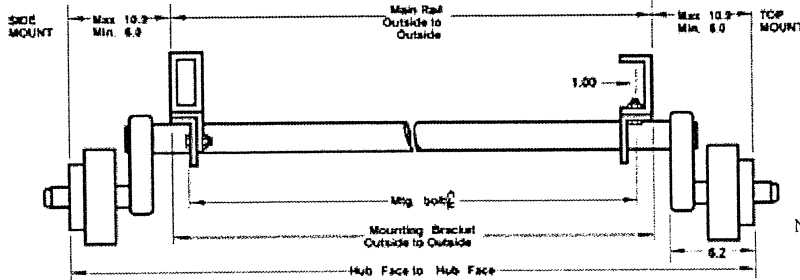
Date: _____

#9 TORFLUX SPECIFICATIONS



AXLE
ASSEMBLIES

MOUNTING DETAILS



Difference between hub face and outside mounting brackets

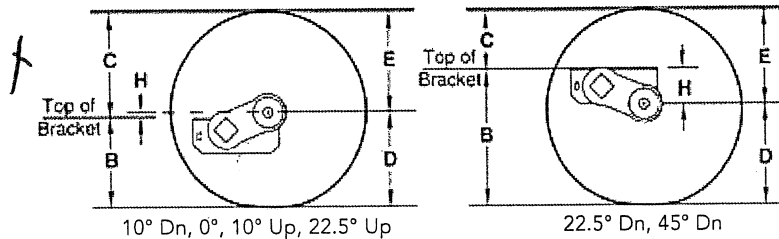
Minimum
12.00" (6" per side)

Maximum
21.80" (10.9" per side)

Note: Minimums are based on manufacturing tolerances only. Some tire and wheel combinations may create interference.

Full Load Dimensions

Dimensions are for low profile, top mount only. Side mount is .25" higher. Allow 3" bump clearance from full load.



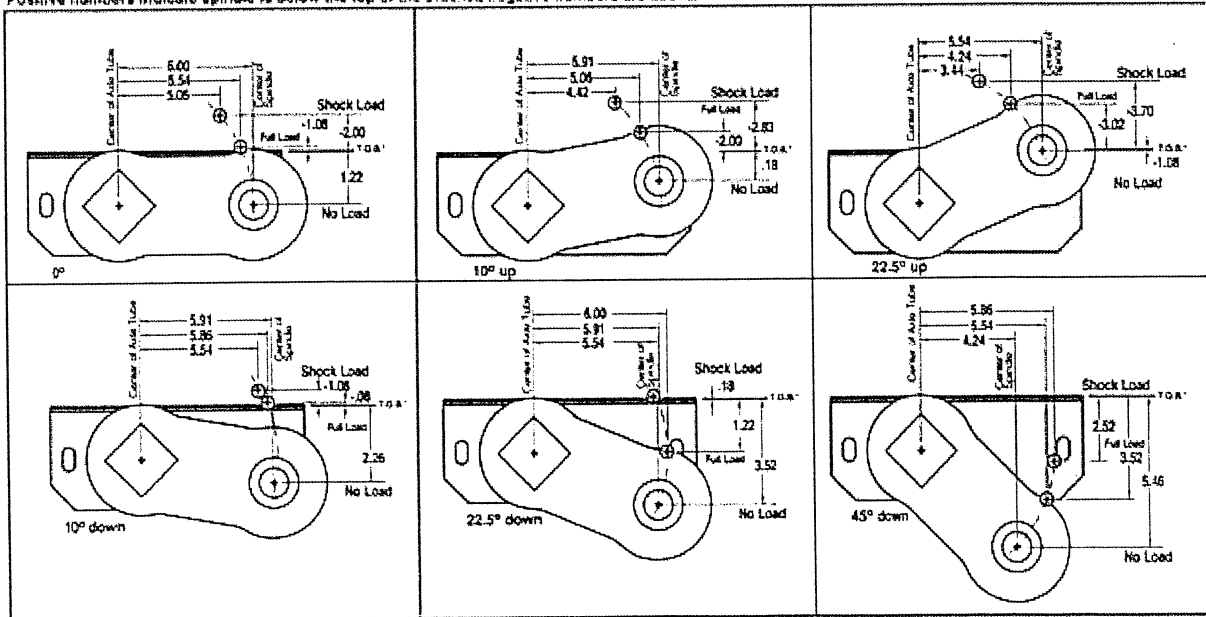
H = Center Line of spindle to top of bracket, B = Top of bracket to ground, C = Top of bracket to top of tire, D = Center Line of spindle to ground, E = Center Line of spindle to top of tire.

Start Angle

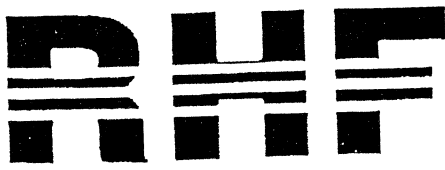
| Tire | 22.5° Down | | | 0° | | | 22.5° Up | | | | | | | | | | | | | |
|-------------|------------|------|-----|-----|------|------|----------|------|------|------|------|------|------|-----|------|------|-----|------|------|------|
| | H | B | C | H | B | C | H | B | C | | | | | | | | | | | |
| ST175/80R13 | 3.5 | 14.7 | 8.5 | 1.2 | 12.4 | 10.8 | -0.1 | 11.1 | 12.1 | -1.1 | 10.1 | 13.1 | -2.0 | 9.2 | 14.0 | -3.0 | 8.2 | 15.0 | 11.2 | 12.0 |
| 4.80-8 | 3.5 | 11.4 | 5.3 | 1.2 | 9.1 | 7.6 | -0.1 | 7.8 | 8.9 | -1.1 | 6.8 | 9.9 | -2.0 | 5.9 | 10.8 | -3.0 | 4.9 | 11.8 | 7.9 | 8.8 |
| 4.80-12 | 3.5 | 13.0 | 7.3 | 1.2 | 10.7 | 9.6 | -0.1 | 9.4 | 10.9 | -1.1 | 8.4 | 11.9 | -2.0 | 7.5 | 12.8 | -3.0 | 6.5 | 13.8 | 9.5 | 10.8 |
| 20.5x8.0-10 | 3.5 | 13.2 | 7.3 | 1.2 | 10.9 | 9.6 | -0.1 | 9.6 | 10.9 | -1.1 | 8.6 | 11.9 | -2.0 | 7.7 | 12.8 | -3.0 | 6.7 | 13.8 | 9.7 | 10.8 |

ARTICULATION DIMENSIONS

ALLOW 3" BUMPS CLEARANCE FROM FULL LOAD.
Positive numbers indicate spindle is below the top of the bracket, negative numbers are above.



If the Axle Has A Serial Number:



RINGO HILL FARMS EQUIPMENT CO., INC.

1624 Route 212 Quakertown, Pa 18951 Phone: (610)-346-7340 Fax: (610)-346-8041
 Email: Sales@RingoHill.com www.RingoHill.com & www.SheltonHitch.com

| START ANGLE | POSITION | AXLE NUMBER | | | | |
|-------------|------------|-------------|-----------|-----------|-----------|--------------------|
| | | 2,000 LB. | 3,500 LB. | 6,000 LB. | 7,000 LB. | 8,000 & 10,000 LB. |
| 22.5° Above | No Load | -1.03" | -.080" | -.053" | -.029" | -.005" |
| | Full Load | -3.08" | -2.85" | -2.58" | -2.34" | -2.10" |
| | Shock Load | -4.83" | -4.60" | -4.33" | -4.09" | -3.85" |
| 10° Above | No Load | .023" | .045" | .072" | .096" | 1.21" |
| | Full Load | -1.82" | -1.60" | -1.33" | -1.09" | -0.84" |
| | Shock Load | -3.57" | -3.35" | -3.08" | -2.84" | -2.59" |
| 0° Level | No Load | 1.27" | 1.49" | 1.77" | 2.00" | 2.25" |
| | Full Load | -0.78" | -0.56" | -0.28" | -0.05" | 0.20" |
| | Shock Load | -2.78" | -2.56" | -2.28" | -2.05" | -1.80" |
| 10° Down | No Load | 2.31" | 2.53" | 2.81" | 3.04" | 3.29" |
| | Full Load | 0.26" | 0.48" | 0.76" | 0.99" | 1.24" |
| | Shock Load | -1.74" | -1.52" | -1.24" | -1.01" | -0.76" |
| 22.5° Down | No Load | 3.56" | 3.79" | 4.06" | 4.29" | 4.54" |
| | Full Load | 1.51" | 1.74" | 2.01" | 2.24" | 2.49" |
| | Shock Load | -0.49" | -0.26" | 0.01" | 0.24" | 0.49" |
| 35° Down | No Load | 4.71" | 4.93" | 5.21" | 5.44" | 5.69" |
| | Full Load | 2.66" | 2.88" | 3.16" | 3.39" | 3.64" |
| | Shock Load | 0.66" | 0.88" | 1.16" | 1.39" | 1.64" |
| 45° down | No Load | 5.51" | 5.73" | 6.01" | 6.24" | 6.49" |
| | Full Load | 3.46" | 3.68" | 3.96" | 4.19" | 4.44" |
| | Shock Load | 1.46" | 1.68" | 1.96" | 2.19" | 2.44" |

